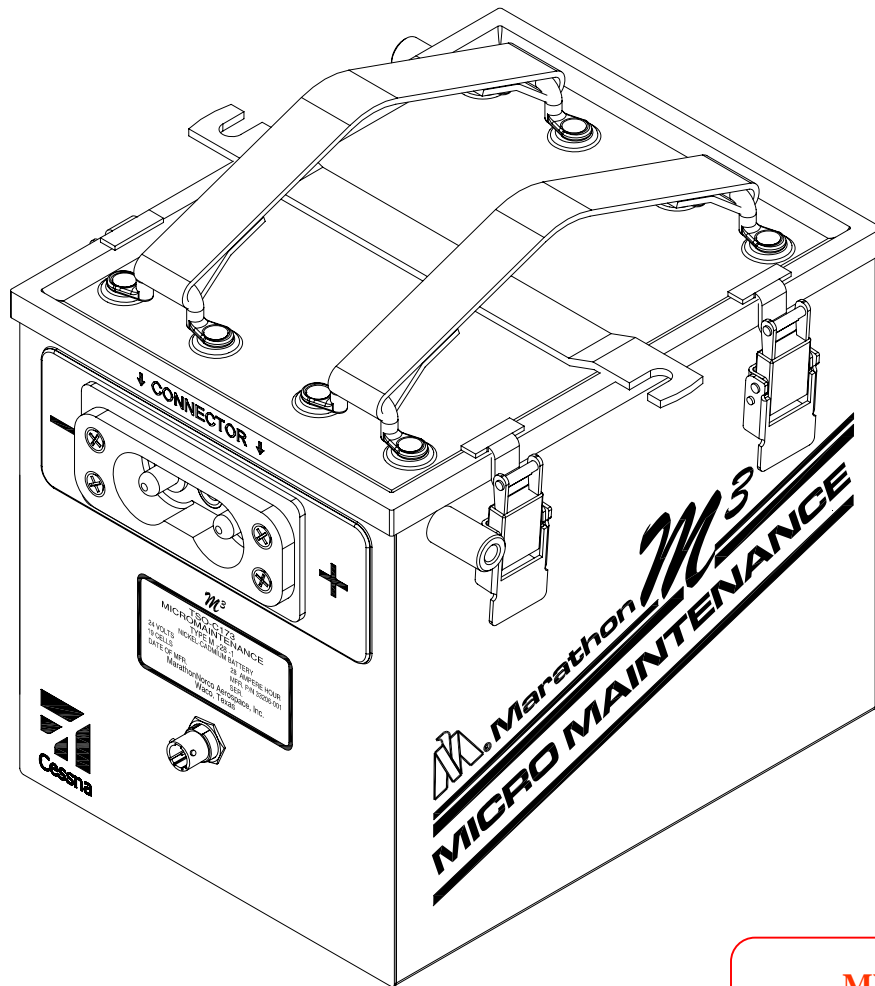




Nickel-Cadmium Aircraft Batteries

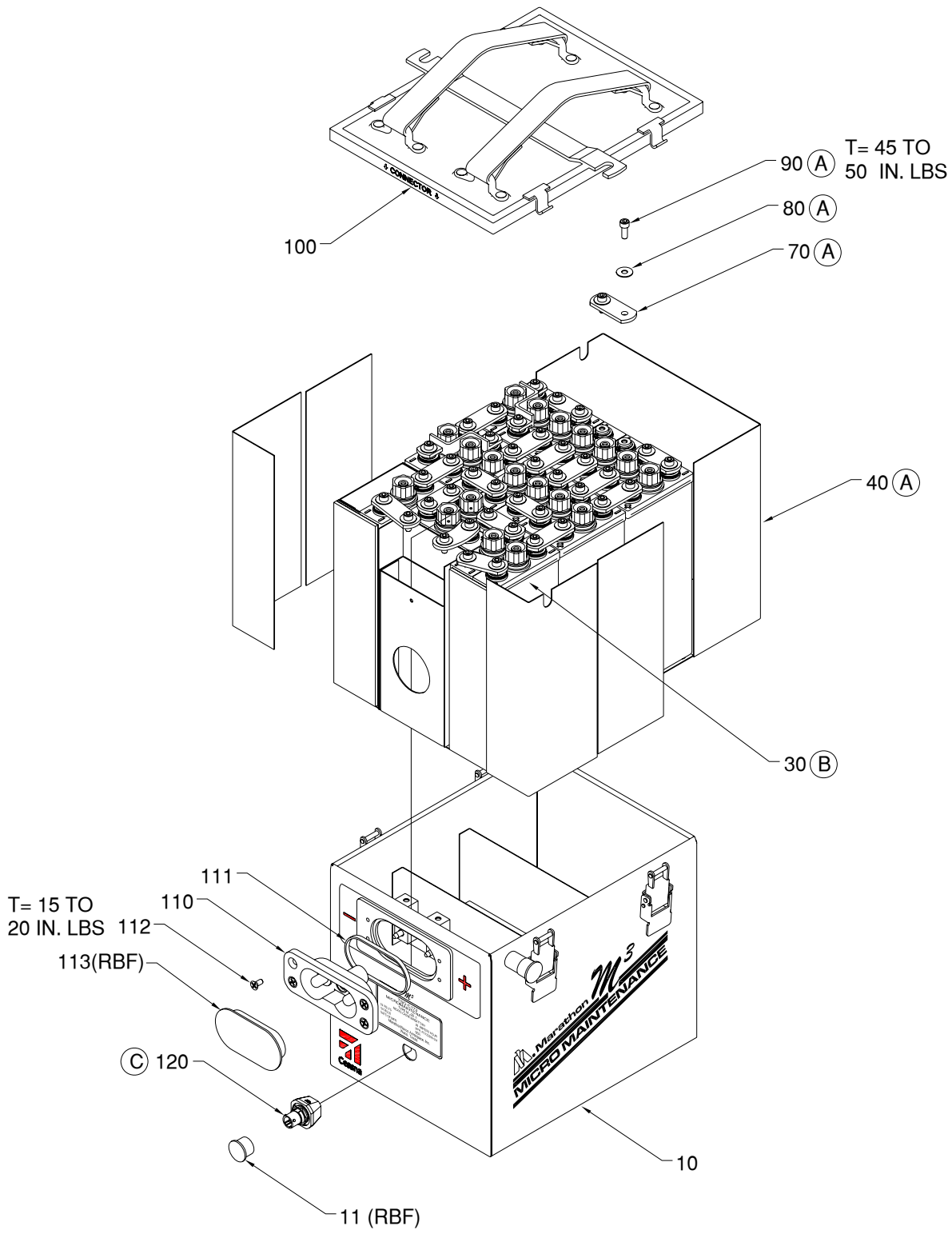
Model M³-28-1 Battery Replacement Parts



**MNAI
Released
03-08-07
Non-Controlled**

MarathonNorco Aerospace

PO Box 8233, Waco, Texas 76714-8233
8301 Imperial Dr., Waco, Texas 76712
Phone (254) 776-0650 / Fax (254) 776-6558

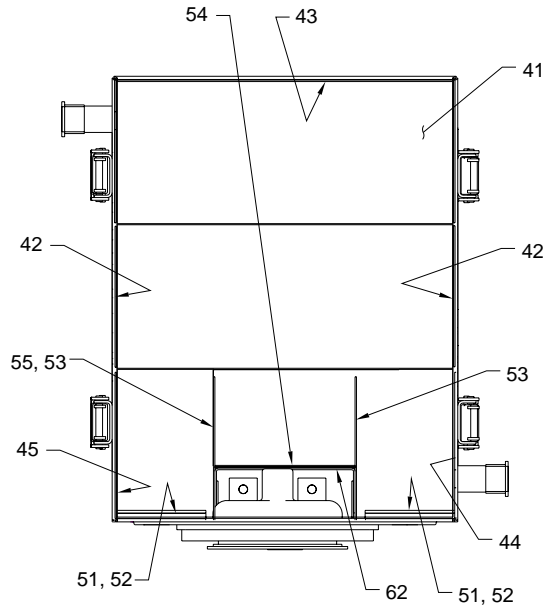
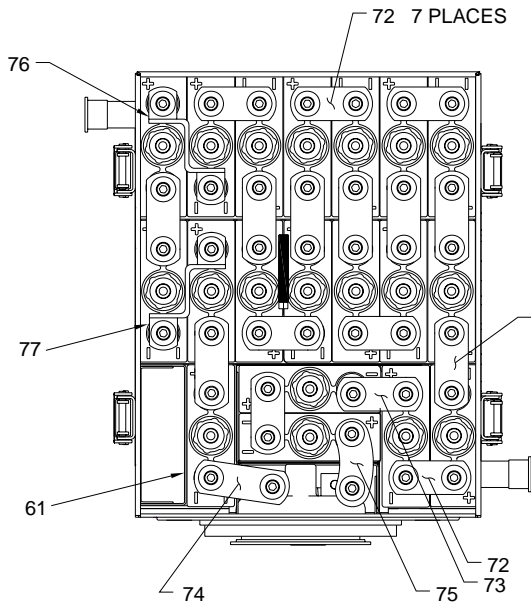


T= TORQUE (IN. LBS.)
EXPLODED VIEW

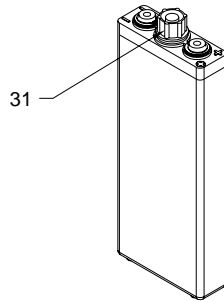
MarathonNorco Aerospace

PO Box 8233, Waco, Texas 76714-8233
8301 Imperial Dr., Waco, Texas 76712
Phone (254) 776-0650 / Fax (254) 776-6558

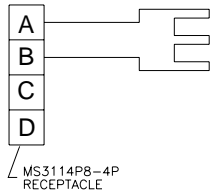
IPL-1048



40-90 REF.
T= TORQUE (IN. LBS.)
DETAIL A

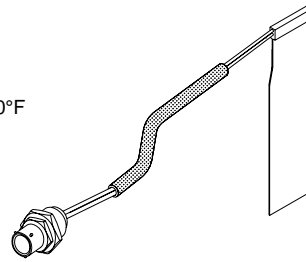


DETAIL B
30 REF.



RESISTANCE: $200 \pm .05 \Omega$ AT 140°F

SCHMATIC



T=34 TO 40 IN LBS.

120 REF
T= TORQUE (IN. LBS.)
DETAIL C

MarathonNorco Aerospace

PO Box 8233, Waco, Texas 76714-8233
8301 Imperial Dr., Waco, Texas 76712
Phone (254) 776-0650 / Fax (254) 776-6558

IPL-1048

ILLUSTRATED PARTS LIST

Figure Item	Part Number	Nomenclature	Units Per Assy
1	33206-001	BATTERY,M ³ -28-1 19-25M ³ 120	1
10	40617-001	CAN, MARKED	1
11	16065-012	CAP, DUST (RBF)	3
30	32688-002	CELL ASSEMBLY, 25M ³ 120	19
31	16934-009	ASSEMBLY, FILLER CAP & VENT	19
-40		LINERS	
41	32773-001	LINER, BOTTOM	1
42	32983-001	LINER, SIDE	2
43	33241-001	LINER, REAR	1
44	33240-001	LINER, FRONT RIGHT SIDE	1
45	32987-001	LINER, FRONT LEFT SIDE	1
-50		SHIMS	
51	9988-251	SHIM	2
52	9988-252	SHIM	2
53	9988-257	SHIM	2
54	9988-085	SHIM	2
55	30499-001	BARRIER (L-SHAPE)	1
-60		SPACERS	
61	32692-001	ASSEMBLY, SPACER	1
62	28975-005	ASSEMBLY, SPACER	1
-70		CONNECTORS	
71	16102-018	CONNECTOR	8
72	16102-052	CONNECTOR	7
73	16102-007	CONNECTOR	1
74	16102-006	CONNECTOR	1
75	24574-001	CONNECTOR	1
76	28099-002	CONNECTOR	1
77	28099-003	CONNECTOR	1
80	16128-001	BELLEVILLE WASHER	40
90	10488-020	SCREW, SOCKET HD. CAP	40
100	40284-002	COVER, MARKED	1
110	16163-003	ASSEMBLY RECEPTACLE	1
111	24583-001	RING, RECTANGULAR	1
112	23084-001	SCREW, FL.HD. SEMS	4
113	26916-006	COVER, INSULATOR M ³ (RBF)	1
120	31374-002	ASSY, TEMP SENSOR	1

RBF - REMOVE BEFORE FLIGHT (RBF)



PO Box 8233, Waco, Texas 76714-8233
8301 Imperial Dr., Waco, Texas 76712
Phone (254) 776-0650 / Fax (254) 776-6558

IPL-1048