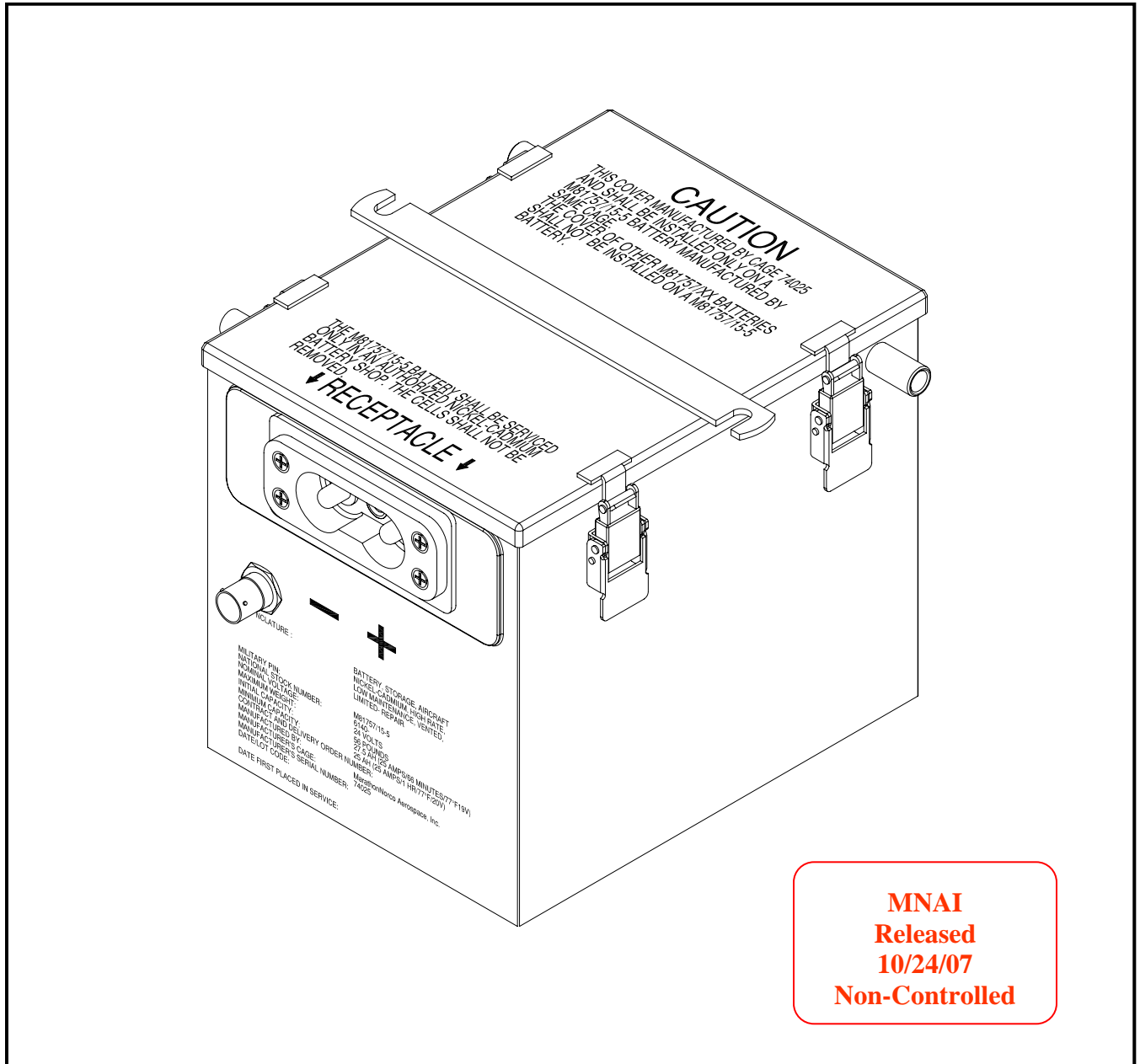




## Nickel-Cadmium Aircraft Batteries

Model M81757/15-5 Battery Replacement Parts  
(Limited Repair)

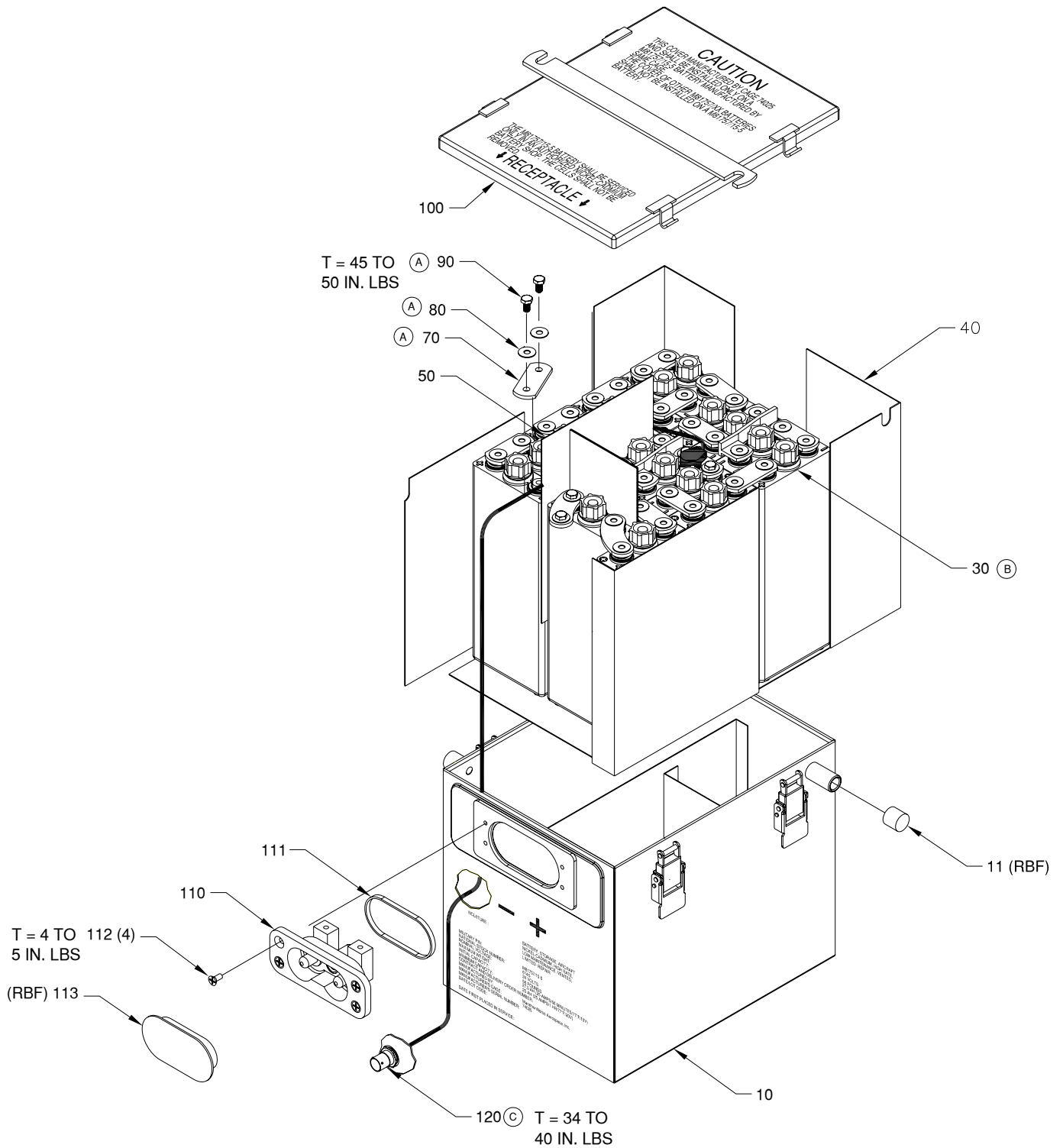


**MNAI  
Released  
10/24/07  
Non-Controlled**

**MarathonNorco Aerospace**

PO Box 8233, Waco, Texas 76714-8233  
8301 Imperial Dr., Waco, Texas 76712  
Phone (254) 776-0650 / Fax (254) 776-6558

IPL-1051

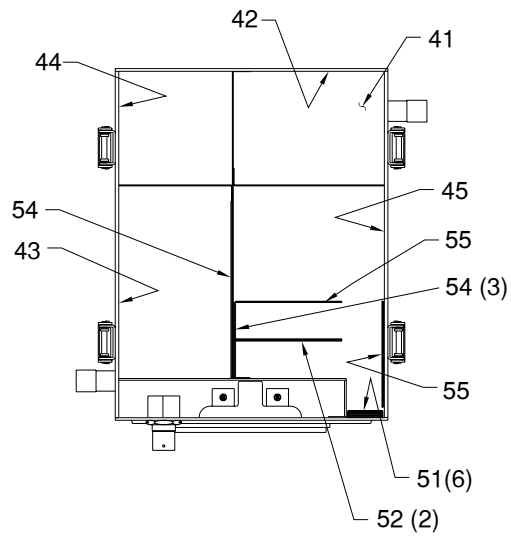
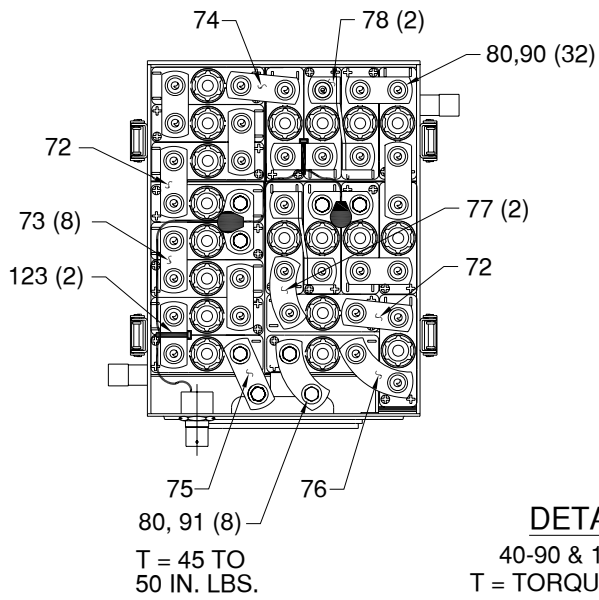


**EXPLODED VIEW**  
 T = TORQUE ( IN. LBS.)

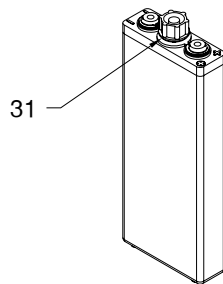
**MarathonNorce Aerospace**

PO Box 8233, Waco, Texas 76714-8233  
 8301 Imperial Dr., Waco, Texas 76712  
 Phone (254) 776-0650 / Fax (254) 776-6558

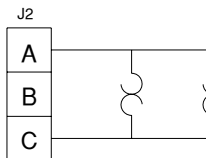
IPL-1051



**DETAIL A**  
40-90 & 123 REF.  
T = TORQUE (IN LBS.)

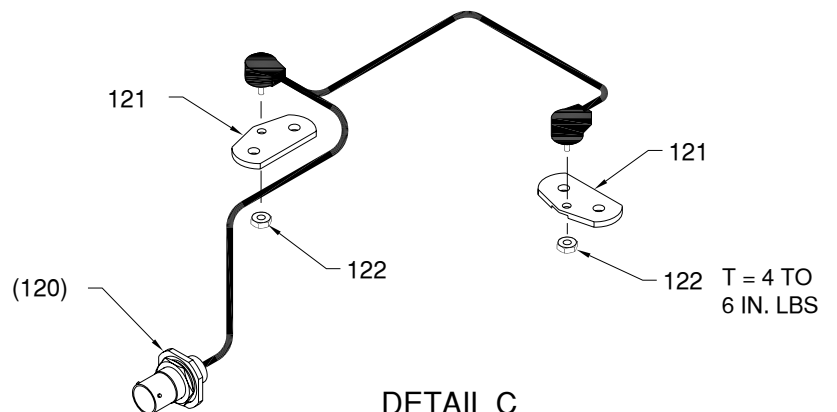


**DETAIL B**  
30 REF.



TWO THERMOSTATS  
PARALLEL,  
NORMALLY OPEN ON  
TEMPERATURE RISE  
EACH CLOSSES  
160° ± 5°F

**SCHMATIC**



**DETAIL C**  
120 REF.  
T = TORQUE (IN. LBS.)

**MarathonNorce Aerospace**

PO Box 8233, Waco, Texas 76714-8233  
8301 Imperial Dr., Waco, Texas 76712  
Phone (254) 776-0650 / Fax (254) 776-6558

## ILLUSTRATED PARTS LIST

| Figure item | Part Number | Nomenclature                                 | Units Per Assy |
|-------------|-------------|--|----------------|
| 1           | 33261-001   | BATTERY, M81757/15-5 19-25M <sup>3</sup> 120 | 1              |
| -10         | 40530-005   | CAN, MARKED                                  | 1              |
| 11          | 15766-003   | DUST CAP <b>(RBF)</b>                        | 2              |
| -30         | 32688-001   | CELL ASSEMBLY, 25M <sup>3</sup> 120          | 19             |
| 31          | 16934-012   | ASSY, FILLER CAP W/ SPLASHGUARD VENT         | 19             |
| -40         |             | LINERS                                       |                |
| 41          | 32773-001   | LINER, BOTTOM                                | 1              |
| 42          | 32773-008   | LINER, SIDE                                  | 1              |
| 43          | 32773-009   | LINER, SIDE                                  | 1              |
| 44          | 32773-007   | LINER, SIDE                                  | 1              |
| 45          | 32773-006   | LINER, SIDE                                  | 1              |
| -50         |             | SHIMS  |                |
| 51          | 9988-084    | SHIM   | 6              |
| 52          | 9988-154    | SHIM   | 3              |
| 53          | 9988-193    | SHIM   | 3              |
| 54          | 9988-306    | SHIM   | 1              |
| 55          | 9988-085    | SHIM   | 2              |
| -60         |             | ASSEMBLY, SPACER                             |                |
| -70         |             | CONNECTORS                                   |                |
| 71          | 16102-018   | CONNECTOR                                    | 1              |
| 72          | 16102-007   | CONNECTOR                                    | 2              |
| 73          | 16102-221   | CONNECTOR                                    | 8              |
| 74          | 16102-222   | CONNECTOR                                    | 1              |
| 75          | 16102-223   | CONNECTOR                                    | 1              |
| 76          | 18006-001   | CONNECTOR                                    | 1              |
| 77          | 18006-005   | CONNECTOR                                    | 2              |
| 78          | 27135-015   | CONNECTOR                                    | 2              |
| -80         | 16128-001   | WASHER, BELLEVILLE                           | 40             |
| -90         | 30805-001   | BOLT, TAMPER RESISTANT                       | 32             |
| 91          | 26873-001   | SCREW , HEX HD.                              | 8              |
| -100        | 40531-005   | COVER, MARKED                                | 1              |
| -110        | 16163-007   | ASSEMBLY RECEPTACLE                          | 1              |
| 111         | 24583-001   | RING, SEALING                                | 1              |
| 112         | 23084-001   | SCREW, FL.HD. SEMS 8-32 x 3/8                | 4              |
| 113         | 26916-001   | COVER, DUST <b>(RBF)</b>                     | 1              |
| -120        | 30921-011   | TEMP SENSOR ASSY                             | 1              |
| * 121       | 33043-001   | CONNECTOR                                    | 2              |
| * 122       | 15013-009   | NUT, ESNA                                    | 2              |
| 123         | 29247-001   | CABLE TIE                                    | 2              |

**RBF - REMOVE BEFORE FLIGHT**

**\* ITEMS 121 AND 122 ARE SUPPLIED WITH HARNESS ASSEMBLY 30921-011**

**MarathonNorce Aerospace**

PO Box 8233, Waco, Texas 76714-8233  
8301 Imperial Dr., Waco, Texas 76712  
Phone (254) 776-0650 / Fax (254) 776-6558

IPL-1051