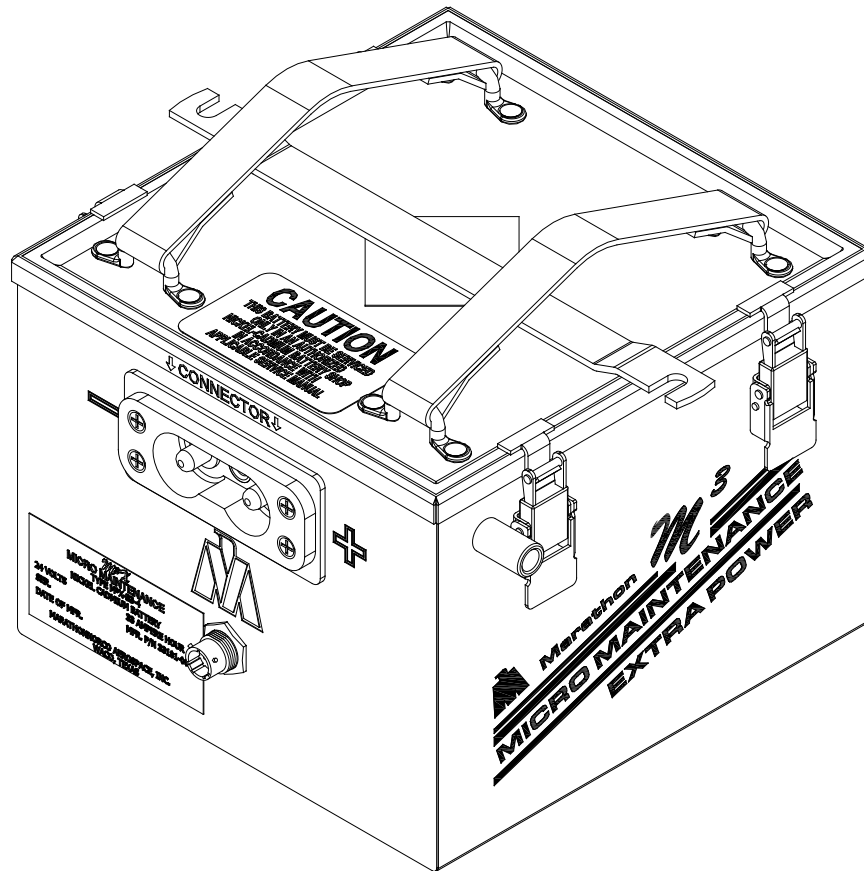




Nickel-Cadmium Aircraft Batteries

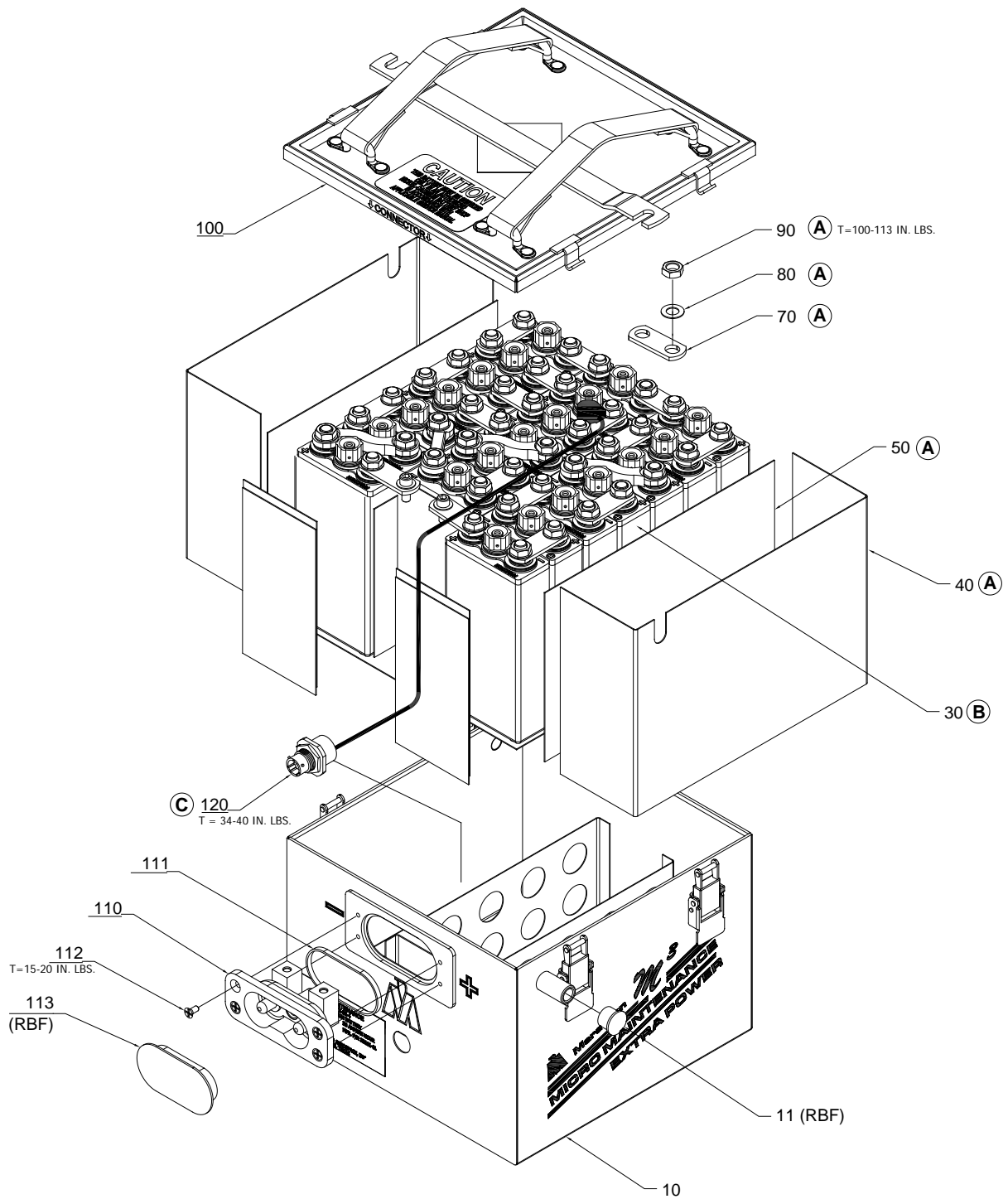
Model M³X-33-4 (P/N 33181-004) Battery Replacement Parts



MarathonNorco Aerospace

PO Box 8233, Waco, Texas 76714-8233
8301 Imperial Dr., Waco, Texas 76712
Phone (254) 776-0650 / Fax (254) 776-6558

DCR 58846
IPL-1058

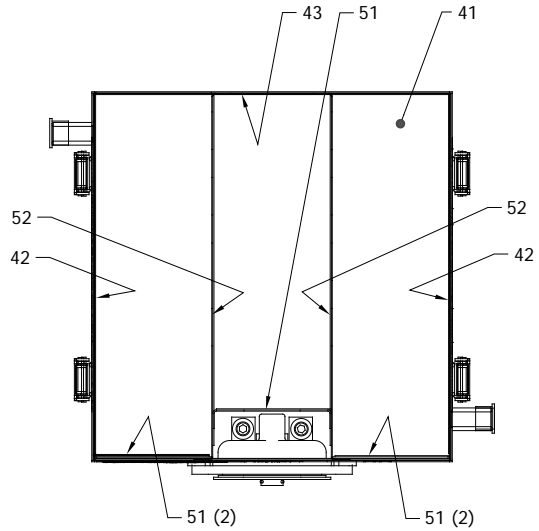
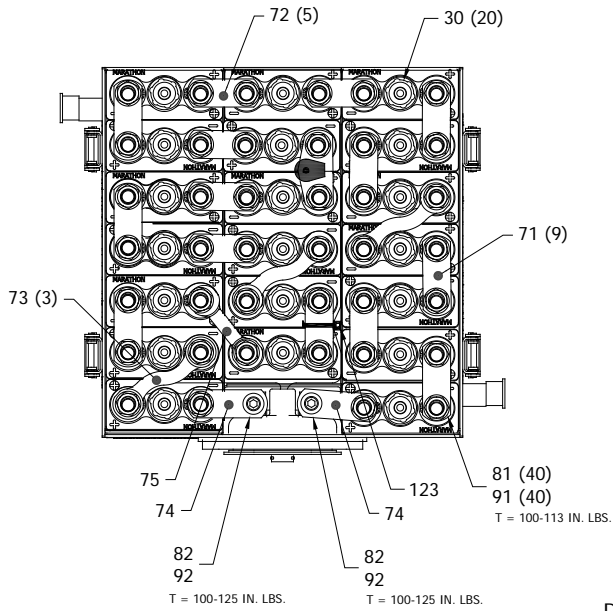


EXPLODED VIEW
T=TORQUE IN IN. LBS.

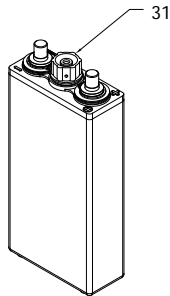
MarathonNorco Aerospace

PO Box 8233, Waco, Texas 76714-8233
8301 Imperial Dr., Waco, Texas 76712
Phone (254) 776-0650 / Fax (254) 776-6558

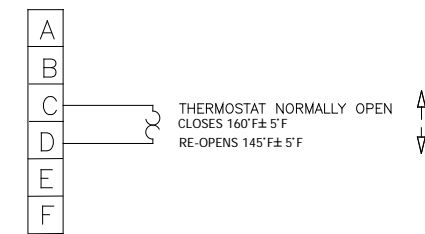
DCR 58846
IPL-1058



DETAIL (A)
30-80 REF.
TORQUE = IN. LBS.

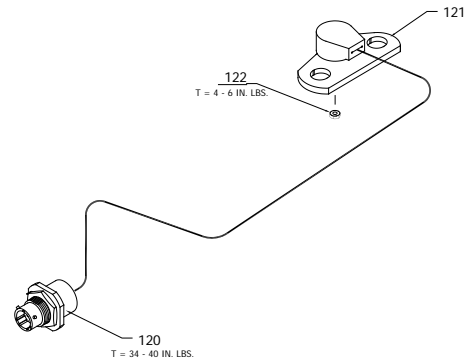


DETAIL (B)
30 REF.



RECEPTACLE
MS3124E10-6P

SCHEMATIC



DETAIL (C)
120 REF.
TORQUE = IN. LBS.

MarathonNorco Aerospace

PO Box 8233, Waco, Texas 76714-8233
8301 Imperial Dr., Waco, Texas 76712
Phone (254) 776-0650 / Fax (254) 776-6558

ILLUSTRATED PARTS LIST

Figure item	Part Number	Nomenclature	Units Per Assy
-1	33181-004	BATTERY 20-28M ³ 100 M ³ X-33-4	1
-10	40612-005	CAN ASSY, MARKED	1
-11	16065-012	DUST CAP (RBF)	3
-20		SPACER	
-30	32836-001	CELL ASSEMBLY, 28M ³ 100	20
31	16934-012	FILLER CAP ASSEMBLY & VENT	20
-40		LINERS	
41	32977-001	LINER, BOTTOM	1
42	32977-004	LINER, SIDE	2
43	32977-005	LINER, REAR	1
-50		SHIMS	
51	9988-276	SHIM	5
52	9988-246	SHIM	2
-60		BARRIERS	
-70		CONNECTORS	
71	32777-004	CONNECTOR, BATTERY	9
72	32777-002	CONNECTOR, BATTERY	5
73	32780-001	CONNECTOR, S	3
74	32782-003	CONNECTOR	2
75	32780-004	CONNECTOR	1
-80		WASHERS	
81	16128-042	BELLEVILLE WASHER	40
82	16128-034	BELLEVILLE WASHER	2
-90		SCREWS & NUTS	
91	15111-094	NUT, HEX	40
92	10488-011	SCREW, SOCKET HEAD CAP	2
-100	40325-006	COVER, MARKED	1
-110	16163-023	ASSEMBLY RECEPTACLE	1
-111	24583-001	RING, RECTANGULAR	1
-112	23084-001	SCREW, FL.HD. SEMS	4
-113	26916-008	COVER, INSULATOR M ³ (RBF)	1
-120	30921-009	ASSEMBLY, TEMP. SENSOR	1
121	33043-002	CONNECTOR	1
122	15013-009	NUT, ESNA	1
123	29247-001	TIE, CABLE	1

RBF - REMOVE BEFORE FLIGHT



PO Box 8233, Waco, Texas 76714-8233
8301 Imperial Dr., Waco, Texas 76712
Phone (254) 776-0650 / Fax (254) 776-6558

DCR 58846
IPL-1058