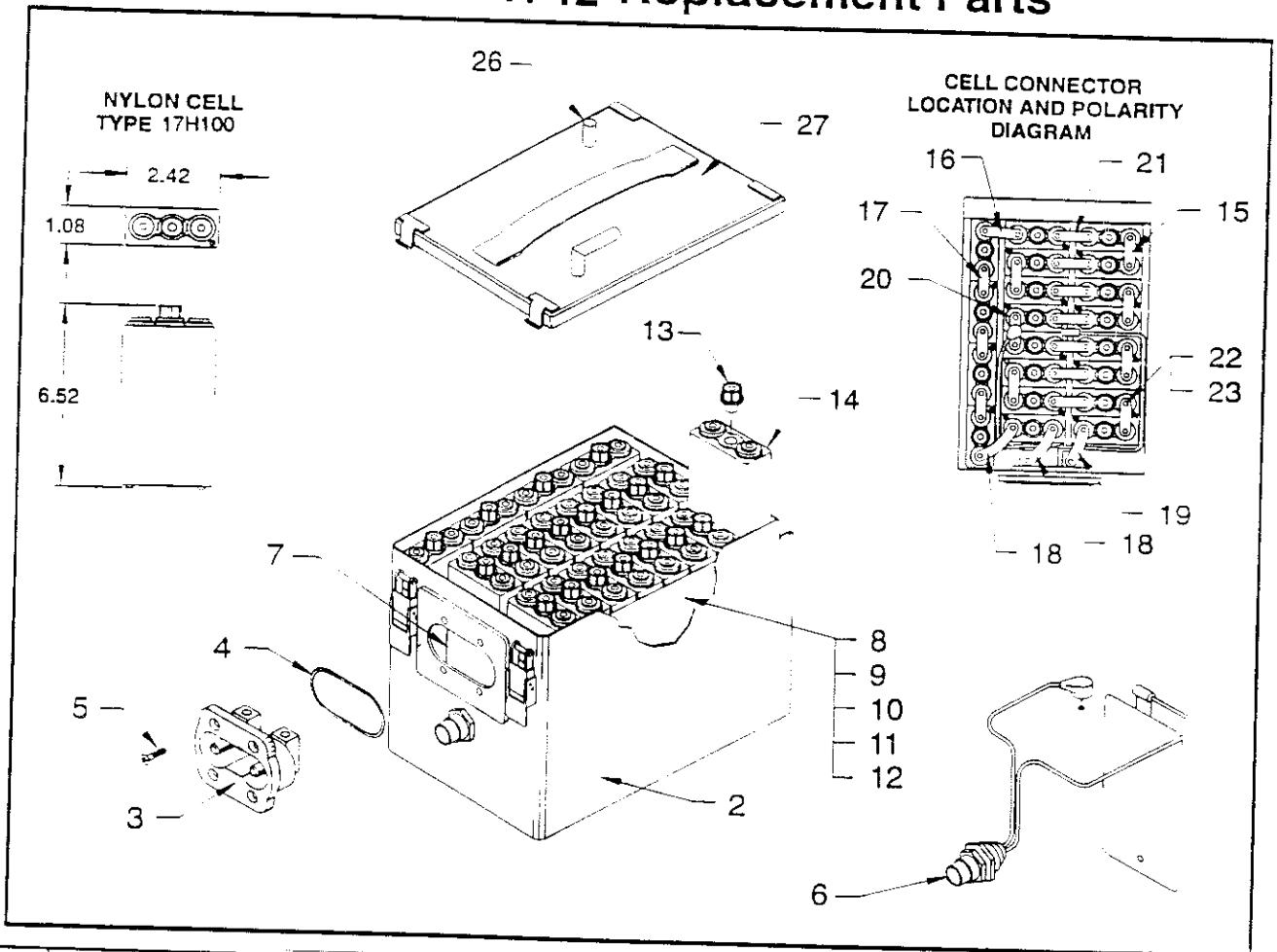


Marathon Power Technologies Company

Nickel-Cadmium Aircraft Batteries

Model TCA-1742 Replacement Parts



ITEM	DESCRIPTION	PART NUMBER	QTY	ITEM	DESCRIPTION	PART NUMBER	QTY
1	BATTERY, TCA-1742	31718-002	1	15	CONNECTOR	16102-162	7
2	CAN, MARKED	40445-001	1	16	CONNECTOR	16102-165	1
3	ASSEMBLY RECEPTACLE	27904-004	1	17	CONNECTOR	16102-164	3
4	RING, RECTANGULAR	24583-001	1	18	CONNECTOR	30452-001	2
5	SCREW, FLAT HD.	23084-001	4	19	CONNECTOR	16102-166	1
6	TEMP. PROBE	32140-001	1	20	CONNECTOR (THERM MTG)	28847-053	1
7	SPACER	32129-002	1	21	CONNECTOR	28847-053	1
8	SHIM	9988-262	4	22	WASHER, BELLEVILLE	19128-028	42
9	SHIM	9988-165	2	23	SCREW, SOCKET	10488-020	42
10	SHIM	9988-112	8	24	SPRING SHORT OUT	25908-001	1
11	BARRIER	9988-120	1	25	COVER, DUST	26916-001	1
12	BARRIER	9988-102	1	26	DUST CAP	15766-002	2
13	FILLER CAP	25429-004	20	27	COVER, MARKED	40444-001	1
14	CELL ASSY, 17H100	29321-02C	20				



Marathon Power Technologies Company

Battery Products

P.O. Box 8233, Waco, Texas 76714

8301 Imperial Drive, Waco, Texas 76712

TEL (817) 776-0650 FAX (817) 776-6558

Hi010996