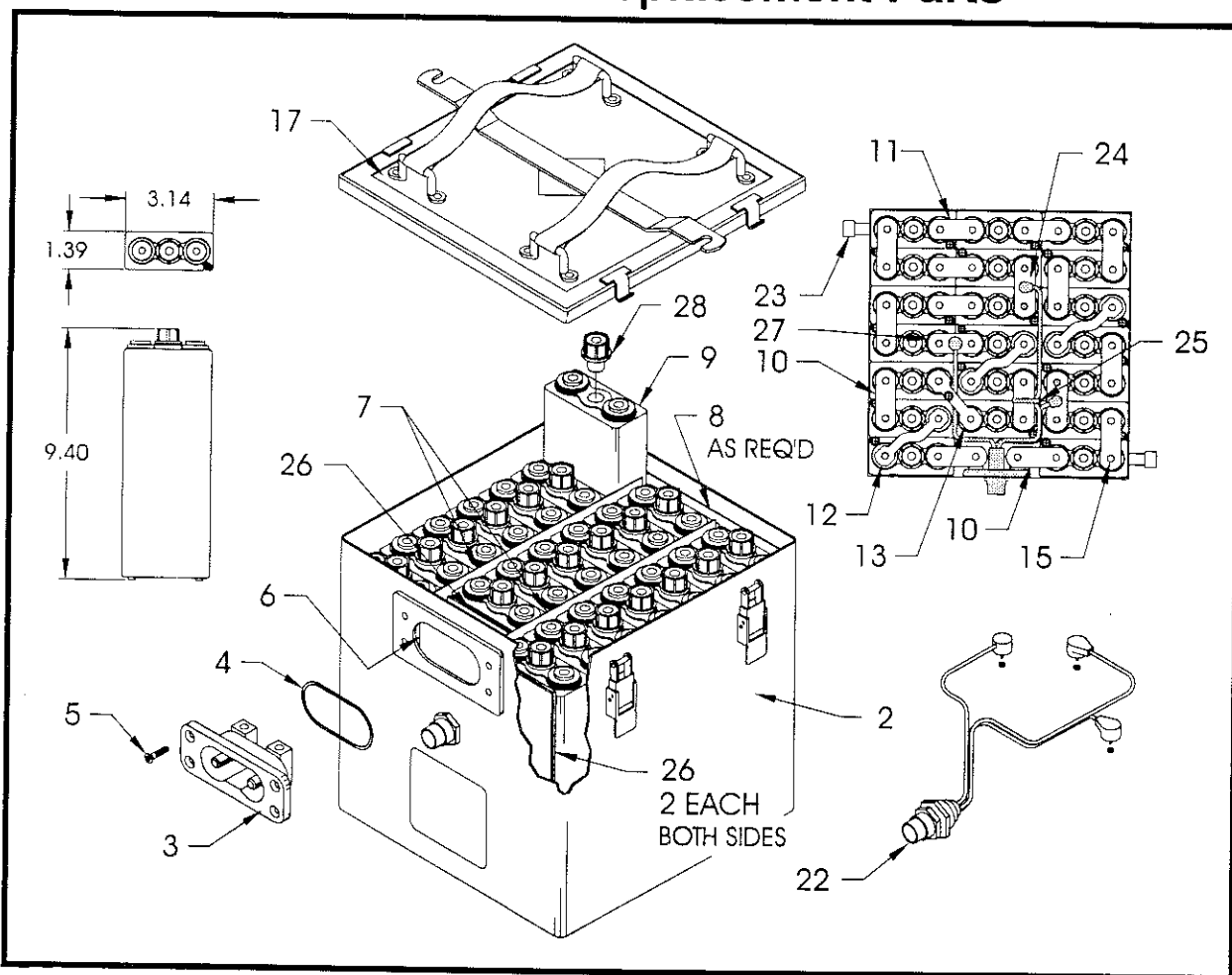


Marathon Power Technologies Company

Nickel-Cadmium Aircraft Batteries

Model TSP- 434 Replacement Parts



ITEM	DESCRIPTION	PART NUMBER	QTY	ITEM	DESCRIPTION	PART NUMBER	QTY
1	BATTERY, TSP-434	31233-001	1	15	SCREW, SEMS TORX	30877-002	42
2	CAN, MARKED	40477-001	1	16	INHIBITOR, RUST	20441-001	AR
3	ASSEMBLY RECEPTACLE	16163-023	1	17	COVER, MARKED	40325-002	1
4	RING, RECTANGULAR	24583-001	1	18	BAG, SHIPPING	65157-002	1
5	SCREW, FH. SEMS. 8-32X3/8	23084-001	4	19	SPRING, SHORTING	25908-001	1
6	ASSEMBLY, SPACER	27291-012	1	20	CAP, DUST	26916-001	1
7	SHIM, 0.032 X 9.63 X 8.88	9988-232	2	21	TAG, WARNING	25943-001	1
8	SHIM, 0.032 X 9.31 X 7.75	9988-047	1	22	TEMP PROBE	32288-001	1
9	CELL 44SP100	31004-04C	20	23	CAP, DUST	16065-012	2
10	CONNECTOR	16102-135	10	24	CONNECTOR	28847-046	2
11	CONNECTOR	16102-136	4	25	CABLE TIE	29247-001	1
12	CONNECTOR	16167-006	3	26	SHIM	9988-174	5
13	CONNECTOR	16167-007	1	27	CONNECTOR	28847-055	1
14	BIT, T30 TORX DRIVE	30938-001	1	28	FILLER CAP	16934-001	20



Marathon Power Technologies Company

Hi395

Battery Products
 P.O. Box 8233, Waco, Texas 76714
 8301 Imperial Drive, Waco, Texas 76712
 TEL (817) 776-0650 FAX (817) 776-6558