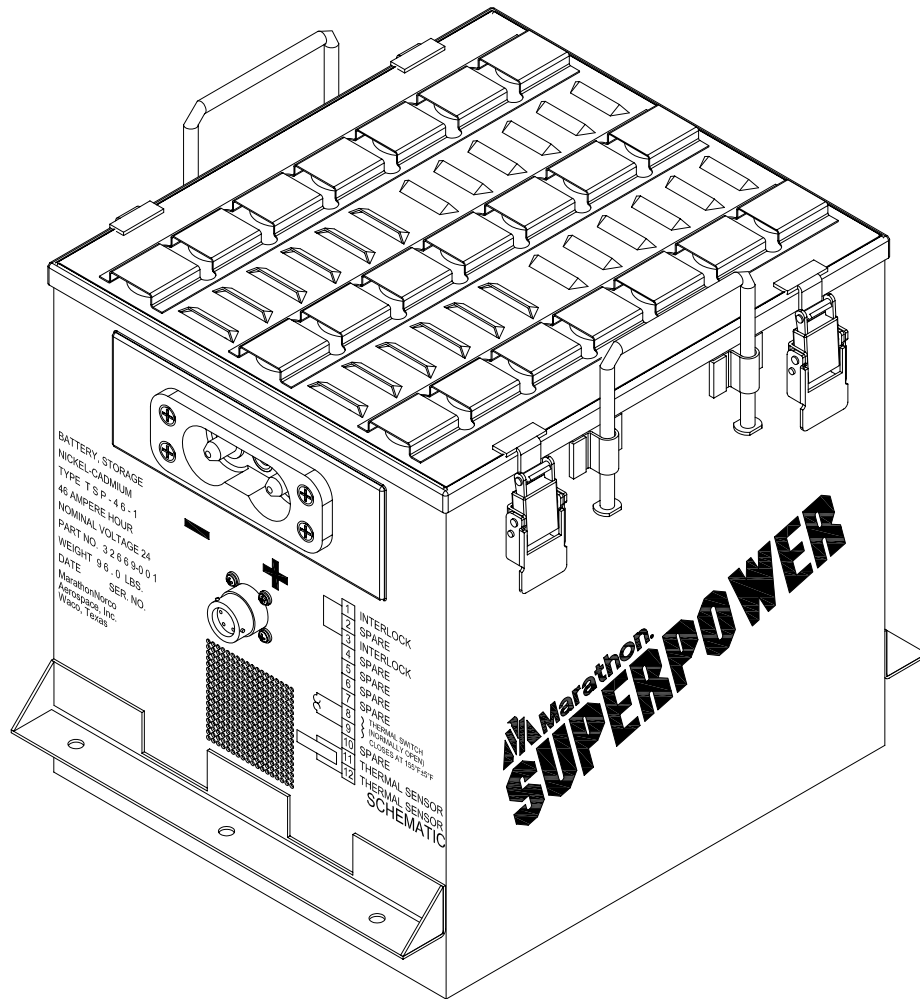


Originating DCR

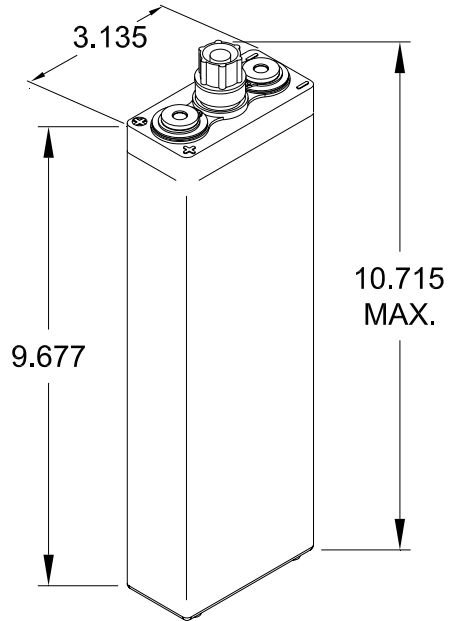
56057

REVISIONS

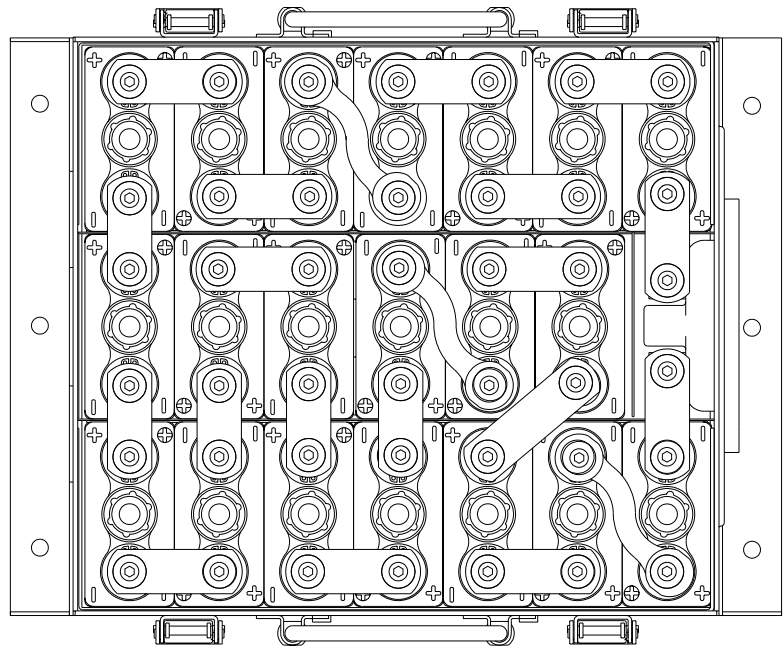
REV	DESCRIPTION	DATE	APPROVED



APPROVALS		DATE	MarathonNorco Aerospace, Inc. WACO, TEXAS			
ORIGINATOR A. HITTLE	8-4-04	Illustrated Parts List				
CHECKED		TSP-46-1 20-46SPE100 P/N 32669-001				
APPROVED <i>PMA</i>	9-13-04	SIZE A	FSCM 74025	DWG NO IPL-1037	REV --	
			PMA - YES	SHEET 1 OF 4		



46SPE100 CELL



CELL CONNECTOR
LOCATION AND POLARITY

Figure Item	Part Number	Nomenclature	Units Per Assy
1	32669-001	BATTERY, TSP-46-1 20-46SPE100 NI-CD (32670-001)	RF
5	40526-001	CAN ASSEMBLY, MARKED	1
10	32695-001	LINER, BOTTOM	1
15	32695-003	LINER, SIDE	2
20	32695-004	LINER, CENTER FRONT	1
25	32695-005	LINER, CENTER SIDE	2
30	32695-002	LINER, END CENTER	1
35	9988-320	SHIM	3
40	10488-011	SCREW, SOC HD CAP 1/4-28 x .625	42
41	16128-001	WASHER, BELLEVILLE	42
45	16102-217	CONNECTOR	10
50	10371-005	CONNECTOR	5
55	16167-005	CONNECTOR	3
60	16102-219	CONNECTOR	1
65	16102-199	CONNECTOR	2
70	40538-001	COVER ASSEMBLY, MARKED	1
75	32697-001	CELL ASSEMBLY, 46SPE100	20
80	32835-001	SPACER ASSEMBLY	1
85	32706-001	THERMOSTAT PLATE	1
90	15925-008	SCREW, FLAT HD 6-32 x .25	2
95	18100-018	WASHER, FLAT #6	2
100	6560-002	WASHER, LOCK #6	2
105	15111-035	NUT, HEX 6-32	2
110	32135-001	NUT RING, SS	1
115	32704-001	TEMPERATURE PROBE	1
120	16163-026	RECEPTACLE ASSEMBLY	1
125	23084-001	SCREW, FLAT HD SEMS, 8-32	4
130	15940-017	SCREW, FILLISTERHD 4-40	4
135	18100-083	WASHER, FLAT	4
140	32705-001	INSULATOR, BATTERY	1