



8301 Imperial Dr.
Waco, Texas 76712
254-776-0650 Main Line

PO Box 8233
Waco, Texas 76714
254-776-6558 Fax

SERVICE BULLETIN

NO. A2973-78-1

POWER PLANT - CORE COWLING - HOLD OPEN ROD
REPLACE END FITTING

1. PLANNING INFORMATION

A. Effectivity

- (1) Component Affected
This Service Bulletin affects the following hold open rods that are in service.

<u>Norco P/N</u>	<u>Serial Numbers</u>
A2973-1	0001-2917

- (2) Spares Affected

This Service Bulletin affects those units listed above that are on aircraft, and in airline spares stores.

B. Reason

The incorporation of this Service Bulletin will provide a procedure to replace universal end fittings to provide clearance for revised fuel line location.

A2973-78-1



8301 Imperial Dr.
Waco, Texas 76712
254-776-0650 Main Line

PO Box 8233
Waco, Texas 76714
254-776-6558 Fax

SERVICE BULLETIN

C. Description

This Service Bulletin is to inform all users of the procedures and detailed instructions required for reworking Norco part numbers A2973-1. The rework requires replacing universal end fitting.

D. Approval

The repair and modifications herein comply with the applicable Federal Aviation Regulations (FARs) and are approved by Goodrich Corporation..

E. Manpower

Remove Rod Assembly from Thrust Reverser	.2 Hrs.
Replace End Fitting	.5 Hrs.
Replace Rod Assembly on Thrust Reverser	.2 Hrs.
TOTAL	.9 Hrs.

F. Material Cost and Availability

The parts identified in Section 3A. may be obtained from NORCO, INC., as follows:

A2973-78-1



8301 Imperial Dr.
Waco, Texas 76712
254-776-0650 Main Line

PO Box 8233
Waco, Texas 76714
254-776-6558 Fax

SERVICE BULLETIN

<u>Part No.</u>	<u>Description</u>	<u>Availability</u>	<u>Price</u>
RK2973-11	Rework Kit Hold Open Rod	30 Days	\$295.00

DIRECT PURCHASE ORDER TO: MarathonNorco Aerospace, Inc,
8301 Imperial Dr.
Waco, Texas 76712
254-776-0650 Main Line
254-776-6558 Fax

G. Tooling - Cost and Availability

Not applicable.

H. Weight and Balance

The incorporation of this Service Bulletin will have no affect on weight and balance.

I. Other Publications Affected

Component Maintenance Manual No. 78-31-04, for Hold Open Rods, Part Numbers A2973-1, to be changed accordingly to include A2973-11.

A2973-78-1



8301 Imperial Dr.
Waco, Texas 76712
254-776-0650 Main Line

PO Box 8233
Waco, Texas 76714
254-776-6558 Fax

SERVICE BULLETIN

2. ACCOMPLISHMENT INSTRUCTIONS

A. Disassembly

- (1) Remove rivet, item 3, by drilling out manufactured head using a 0.125- inch (3.17 mm) diameter drill. (see Figure 1).
- (2) Punch out rivet, item 3, and remove universal fitting, item 2 , from tube item 21 by rotating counter clockwise. Scrap removed universal fitting.

C. Assembly

- (1) Clean the end of the fitting using a soft non-metallic brush moistened with acetone solvent or equivalent. Wipe end fitting with clean cloth until cloth comes away clean.
- (2) Place new universal fitting (P/N 126C0375-19), item 2, in end of tube item 21, turning clockwise.
- (3) Adjust engagement of universal fitting to obtain a length of $11.5 \pm .03$ inches ($292.1 \pm .7$ mm) from the face of item 10 to center pivot of universal.
- (4) Drill thru shank of universal fitting with a $.129 +.003/-0.000$ dia. ($3.28 +.07/.00$ mm) drill, using hole located in tube item 21. Debure edges of drilled hole.
- (5) Insert new rivet MS20613-4C10.
- (6) Form head on unfinished end of new rivet, item 3.
- (7) Reidentify reworked assembly by vibro peening the number 1 (one) to the existing dash number 1 (one) on tube to become -11.

A2973-78-1



8301 Imperial Dr.
Waco, Texas 76712
254-776-0650 Main Line

PO Box 8233
Waco, Texas 76714
254-776-6558 Fax

SERVICE BULLETIN

3. MATERIAL INFORMATION

A. Parts Required Per Hold Open Rod

A rework kit is available, part number RK2973-11, which contains the following parts to rework hold open rods A2973-1.

<u>Item No.</u>	<u>P/N Provided</u>	<u>Quantity</u>	<u>Keyword</u>
3	MS20613-4C10	1	Rivet
2	126C0375-19	1	Universal

Item numbers correspond to those shown in Figure 1.

B. Parts Required to Modify Spares

Same parts as items 3A. above.

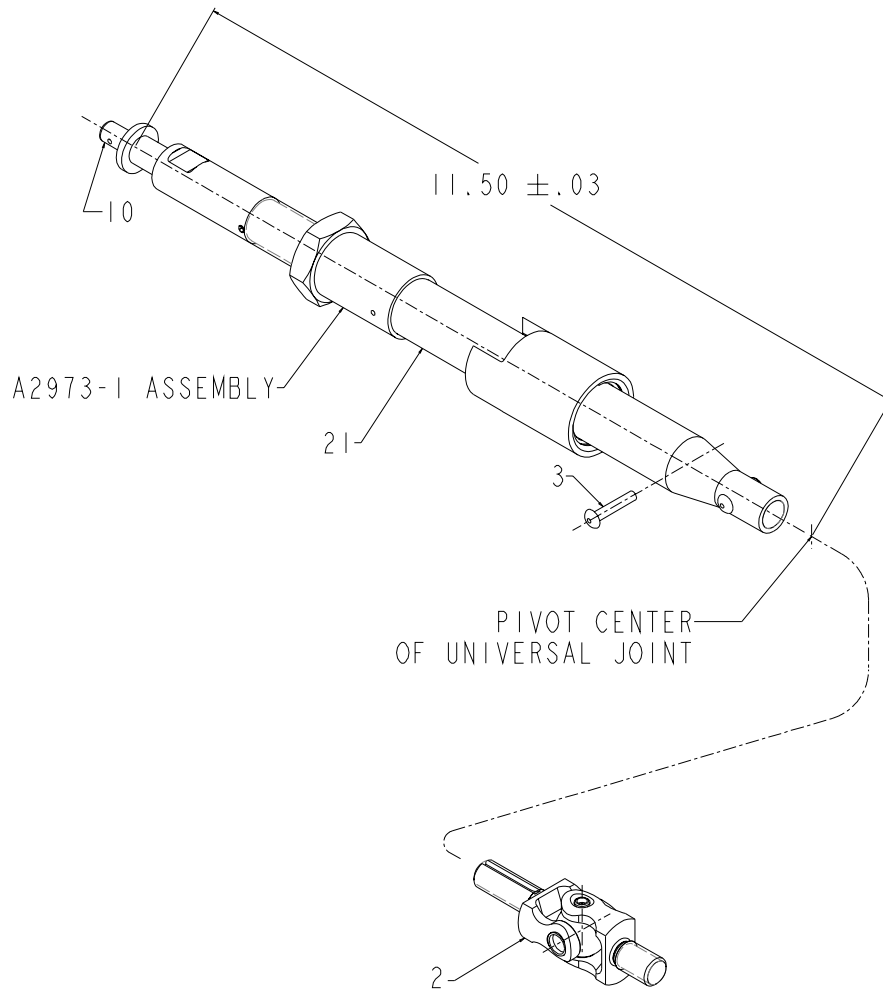
A2973-78-1



8301 Imperial Dr.
Waco, Texas 76712
254-776-0650 Main Line

PO Box 8233
Waco, Texas 76714
254-776-6558 Fax

SERVICE BULLETIN



STRUT ASSEMBLY
A2973-1
FIGURE 1

A2973-78-1